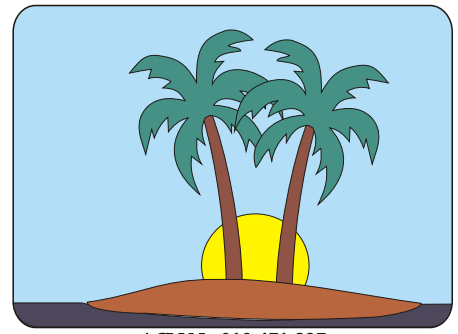


# ITIM SYSTEMS

PTY LTD

INNOVATIVE TECHNOLOGY FOR INDUSTRY AND MARINE  
 4 CRAMOND STREET, WILSTON, QLD 4051, AUSTRALIA  
 P.O. BOX 218 RED HILL, QLD 4059, AUSTRALIA  
 ISD + 61 7. PHONE (07) 3356 1276. FAX (07) 3356 5693  
 http://www.itim-systems.com email info@itim-systems.com

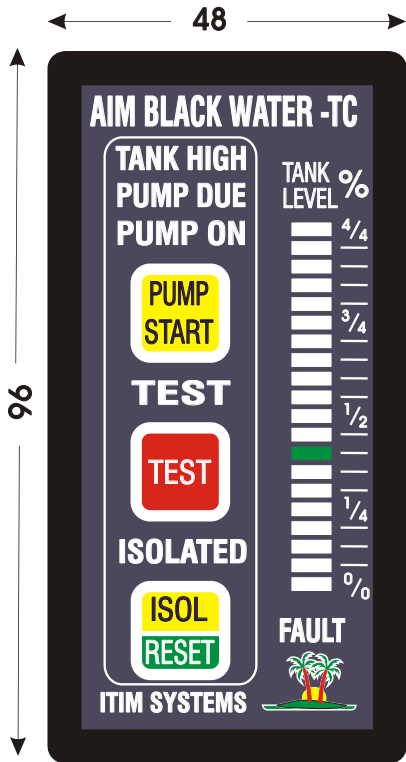


ACN No 010 471 897

## AIM BLACK WATER-TC Tank Controller

### BLACK WATER TANK, LEVEL DISPLAY, ALARM & PUMP CONTROL MODULE

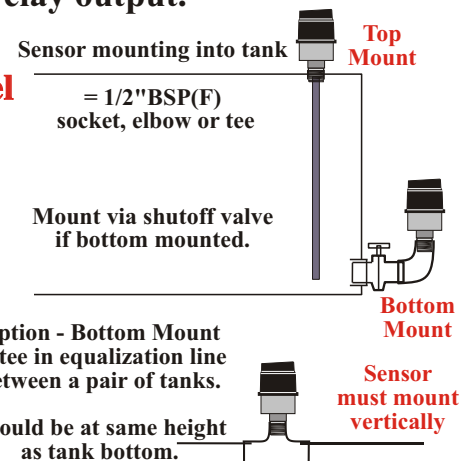
This compact, easy to use, self-contained, flush mount module provides remote tank level display, manual start / auto off, pump out control, pump out due warning & tank full alarms for your black water tank.



#### Including

- \* 20 LED bargraph display of tank level.
- \* Pump Out Due, audible and visual warnings.
- \* Tank High level audible and visual alarms.
- \* Sealed touch switch controls for greater reliability.
- \* Manual pump out start switch, auto or manual pump off.
- \* Remote 10 Amp C/O pump control relay.
- \* Test switch performs full test sequence.
- \* Audible alarm isolate / reset switch.
- \* Fault monitoring of tank sensor input.
- \* Visual sensor fault warning.
- \* Status display back illuminated by LED lightbars
- \* for instantaneous status recognition.
- \* Compact sealed enclosure 48 x 96 x 150 mm deep.
- \* Plug-in terminals for all wiring on rear. Refer over.
- \* Remote high level alarm relay output.

#### TLMP-98 Tank Level Monitoring Probe Mounting Options



This system utilises our Solid State Pressure Transducer to measure the depth of liquid remaining in the tank. Has no moving parts to break or give trouble.

Sensor housed in 316 stainless steel enclosure  
 38(dia) x 65(h) mm with stainless steel  
 1/2" BSPT(m) mounting thread and sensing tube.

**Made with Pride in Australia**

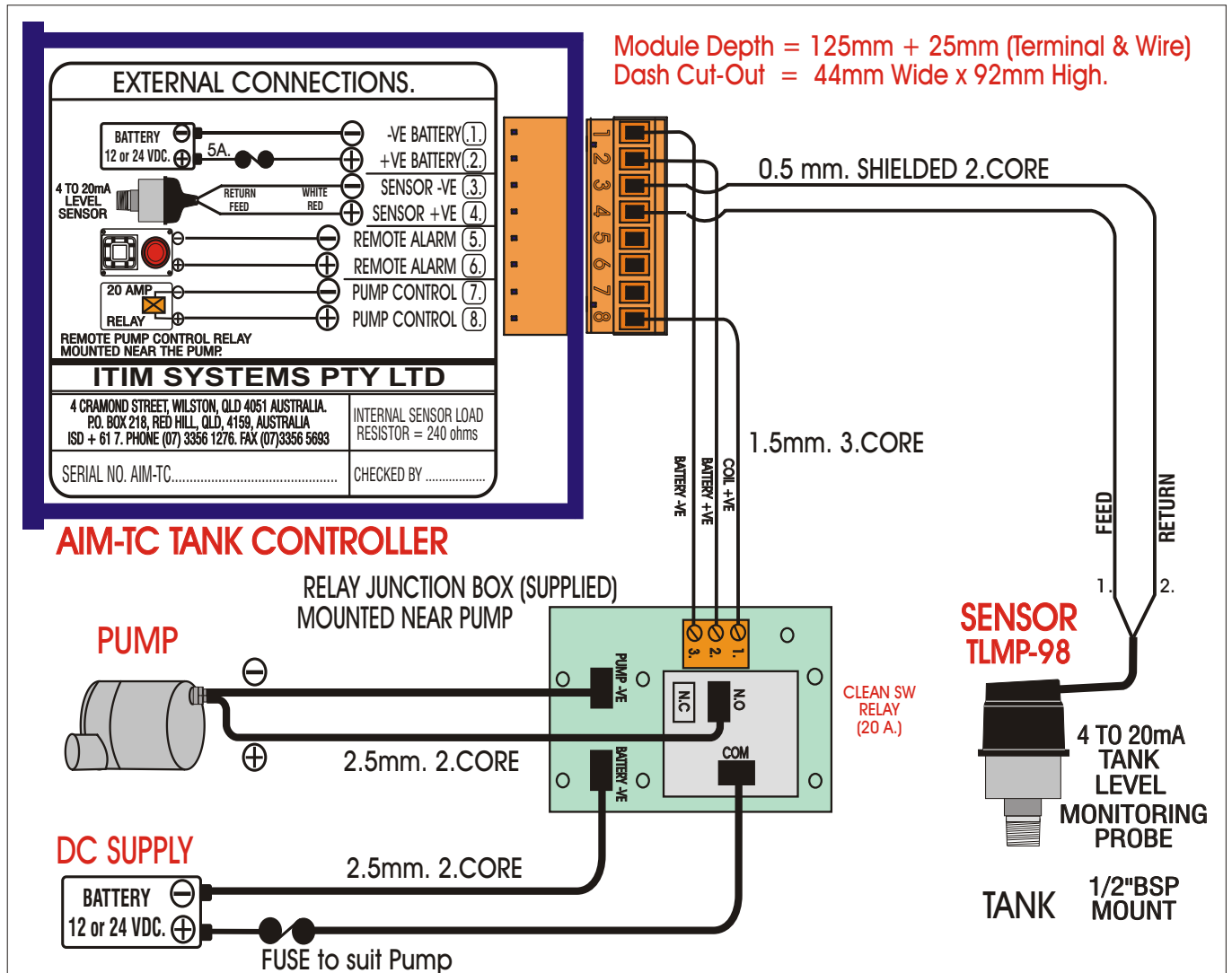
Available from



# AIM-TC98 BLACK WATER TANK CONTROLLER

The ITIM Systems AIM-TC98 Tank Controller module has an eight (8) way plug-in terminal on the rear for connection of all external wiring.

Terminals 1 & 2. Power in. 12 or 24 VDC. 1. = Battery -ve 2. Battery +ve  
 Terminals 3 & 4. Tank Level Sensor. 3. Sensor -ve (Return) 4. Sensor +ve (Feed).  
 Terminals 5 & 6. Remote Alarm. 5. Remote Alarm -ve 6. Remote Alarm +ve (1A).  
 Terminals 7 & 8. Remote Pump Control Relay. 7. -ve 8. Switched +ve. (1A max)



## THE AIM-TC HAS SIX MULTI-TURN TRIM POT ADJUSTMENTS ON THE REAR

THESE ARE PRESET TO SUIT YOUR TANK DEPTH BUT CAN BE ADJUSTED IF REQUIRED

ALARM AND PUMP TRIP-POINTS  
 CLOCKWISE TO LOWER TRIP-POINT  
 ANTI-CLOCKWISE TO RAISE

BAR-GRAPH FULL & EMPTY  
 ADJUSTMENTS CLOCKWISE  
 TO RAISE DISPLAY LEVEL,  
 ANTI-CLOCKWISE TO LOWER.

THE CALIBRATION JUMPER DOES NOT  
 NEED TO BE SET IF MAKING FINE LEVEL  
 ADJUSTMENTS.

## BLACK WATER TANK TRIM POTS

1. HIGH LEVEL ALARM	2. PUMP DUE	3. PUMP OFF	4. SENSOR FAULT	5. BARGRAPH FULL	6. BARGRAPH EMPTY	STATUS LEDS ON REAR	JUMPER ON REAR	JUMPER POSITION. ⊕ ⊕ ⊕ JUMPER MUST BE IN THIS POSITION FOR NORMAL OPERATION. ⊕ ⊕ ⊕ JUMPER IN THIS POSITION ENABLES STATUS LEDS ON REAR AND DISABLES PUMP RELAY. JUMPER IS ONLY USED WHEN TRIP LEVELS NEED TO BE READJUSTED.
<input type="radio"/>	<input type="radio"/>	<input type="radio"/>	<input type="radio"/>	<input type="checkbox"/>	<input type="checkbox"/>			

# ITIM SYSTEMS

PTY LTD

INNOVATIVE TECHNOLOGY FOR INDUSTRY AND MARINE  
 P.O. BOX 218 RED HILL, QLD 4059, AUSTRALIA  
 4 CRAMOND STREET, WILSTON, QLD 4051, AUSTRALIA  
 ISD + 61 7. PHONE (07) 3356 1276. FAX (07) 3356 5693  
<http://www.itim-systems.com> email [info@itim-systems.com](mailto:info@itim-systems.com)