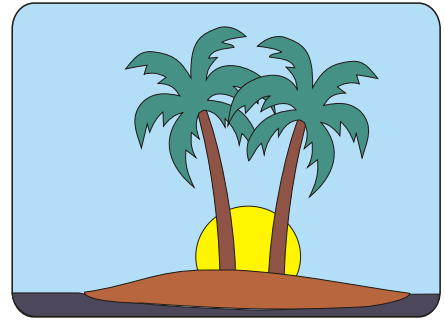


# ITIM SYSTEMS

PTY LTD

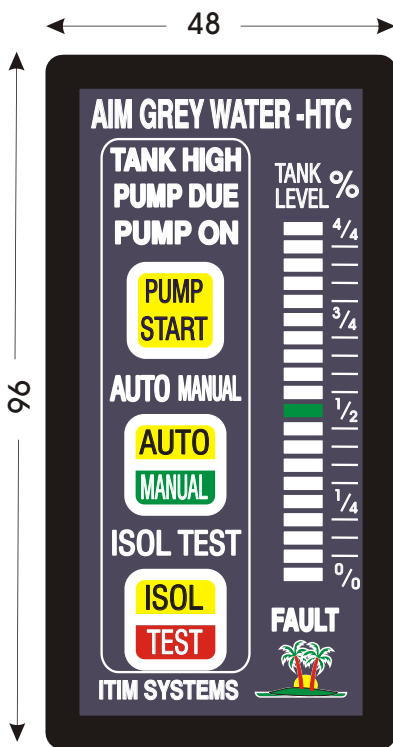
INNOVATIVE TECHNOLOGY FOR INDUSTRY AND MARINE  
 4 CRAMOND STREET, WILSTON, QLD 4051, AUSTRALIA  
 P.O. BOX 218 RED HILL, QLD 4059, AUSTRALIA  
 ISD + 61 7. PHONE (07) 3356 1276. FAX (07) 3356 5693  
<http://www.itim-systems.com> email [info@itim-systems.com](mailto:info@itim-systems.com)



## AIM GREY WATER-HTC Holding Tank Controller

### GREY WATER TANK, LEVEL DISPLAY, ALARM & PUMP OUT MODE CONTROL.

This compact, easy to use, flush mount module provides remote Grey Water Tank Level Display, auto and/or manual Pump Out start/auto Pump Off, Pump Out Due and Pump Run Warning, plus Tank Full alarms for your Grey Water Holding Tank.



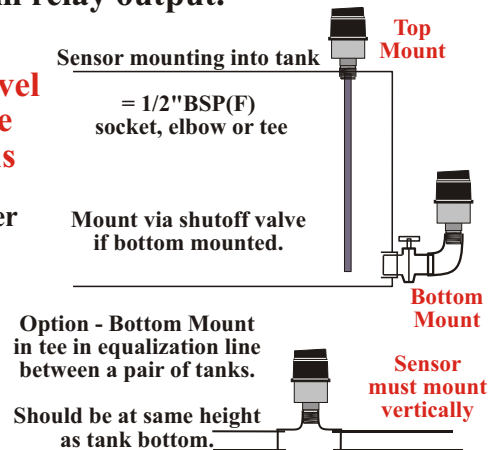
#### Features include:

- \* 20 LED bargraph display of tank level.
- \* Audible and visual Pump Out Due & Pump Run warnings.
- \* Tank High level audible and visual alarms.
- \* Sealed touch switch controls for greater reliability.
- \* Manual Pump Out start switch, auto and manual Pump Off.
- \* Pump Start switch can be held on to override auto Pump Off.
- \* Hold Auto/Manual switch on for 5 seconds to switch Pump Out mode between Automatic and Manual Pump Out start.
- \* Isol/Test switch isolates the audible and remote alarms, and if held on for 5 seconds toggles into & out of test mode.
- \* Fault monitoring of tank sensor input, visual fault warning.
- \* Status display back illuminated by LED lightbars for instantaneous status recognition.
- \* Compact sealed enclosure 48 x 96 x 150 mm deep.
- \* Remote C/O pump control relay driver.
- \* Plug-in terminals for all wiring on rear. Refer over.
- \* Remote high level alarm relay output.

### TLMP-98 Tank Level Monitoring Probe Mounting Options

This system utilises our TLMP-98 Solid State Pressure Transducer to measure the depth of liquid remaining in the tank. Has no moving parts to break or give trouble.

Sensor housed in 316 Stainless Steel enclosure  
 38mm (dia) x 65(h) mm with stainless steel  
 1/2" BSPt(m) mounting thread and sensing tube.



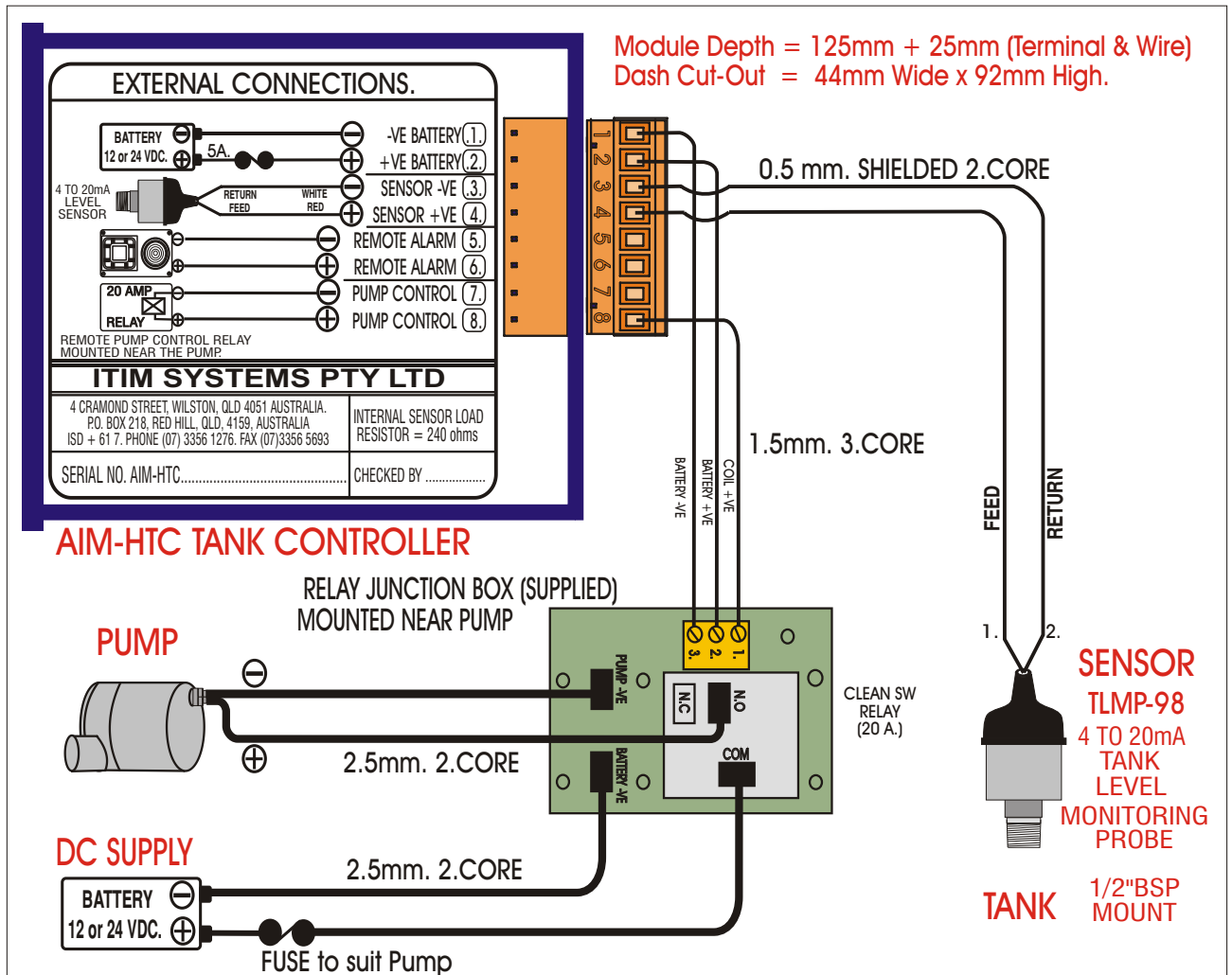
**Made with Pride in Australia**

Available from

# AIM-HTC GREY WATER HOLDING TANK CONTROLLER

The ITIM Systems AIM-HTC Grey Water Holding Tank Controller module has an eight (8) way plug-in terminal on the rear for connection of all external wiring.

Terminals 1 & 2. Power in. 12 or 24 VDC. 1. = Battery -ve 2. Battery +ve  
 Terminals 3 & 4. Tank Level Sensor. 3. Sensor -ve (Return) 4. Sensor +ve (Feed).  
 Terminals 5 & 6. Remote Alarm. 5. Remote Alarm -ve 6. Remote Alarm +ve (1A).  
 Terminals 7 & 8. Remote Pump Control Relay. 7. -ve 8. Switched +ve. (1A max)



## THE AIM-HTC HAS SIX MULTI-TURN TRIM POT ADJUSTMENTS ON THE REAR

THESE ARE PRESET TO SUIT YOUR TANK DEPTH BUT CAN BE ADJUSTED IF REQUIRED

ALARM AND PUMP TRIP-POINTS  
 CLOCKWISE TO LOWER TRIP-POINT  
 ANTI-CLOCKWISE TO RAISE

BAR-GRAPH FULL & EMPTY  
 ADJUSTMENTS CLOCKWISE  
 TO RAISE DISPLAY LEVEL,  
 ANTI-CLOCKWISE TO LOWER.

THE CALIBRATION JUMPER DOES NOT  
 NEED TO BE SET IF MAKING FINE LEVEL  
 ADJUSTMENTS.

## GREY WATER TANK TRIM POTS

TRIM POT	ADJUSTMENT	STATUS	JUMPER POSITION.
1. HIGH LEVEL ALARM	●	STATUS LEDS ON REAR	JUMPER MUST BE IN THIS POSITION FOR NORMAL OPERATION.
2. PUMP ON / DUE	●		
3. PUMP OFF LEVEL	●		
4. SENSOR FAULT	●		
5. BARGRAPH FULL	⊕	JUMPER ON REAR	JUMPER IN THIS POSITION ENABLES STATUS LEDS ON REAR AND DISABLES PUMP RELAY. JUMPER IS ONLY USED WHEN TRIP LEVELS NEED TO BE READJUSTED.
6. BARGRAPH EMPTY	⊕		

# ITIM SYSTEMS

PTY LTD

INNOVATIVE TECHNOLOGY FOR INDUSTRY AND MARINE  
 4 CRAMOND STREET, WILSTON, QLD 4051, AUSTRALIA  
 P.O. BOX 218 RED HILL, QLD 4059, AUSTRALIA  
 ISD + 61 7. PHONE (07) 3356 1276. FAX (07) 3356 5693  
<http://www.itim-systems.com> email [info@itim-systems.com](mailto:info@itim-systems.com)